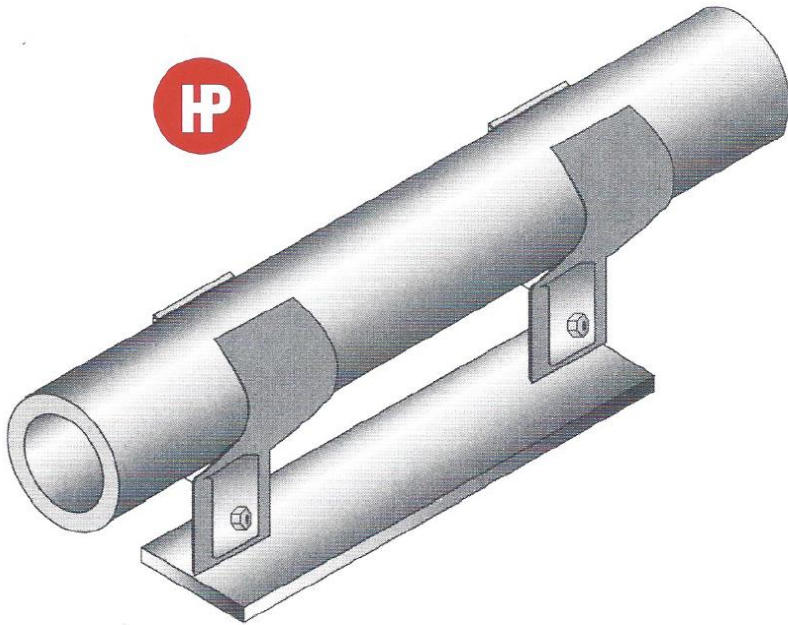


# Interlock™

## Clamp-On Pipe Shoe



The Interlock™ Clamp-on Pipe Shoe is a patented pipe support design to eliminate field welding requirements for pipe supports, while overcoming the many disadvantages associated with the clamp-on pipe shoes that are available on the market today.

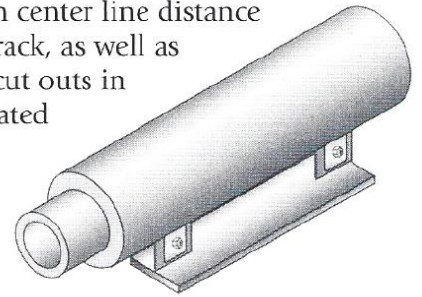
The Interlock™ Shoe is more cost effective when compared to either conventional clamp-on pipe supports or field welded pipe supports and can be used on all pipe applications including bare pipe, painted pipe, insulated pipe, or heat traced pipe.

The Interlock™ Shoe is designed for use on nominal pipe sizes ranging from 1" through 8", and is available in heights of 3", 4", and 6" to accommodate varying thickness' of pipe insulation. The Interlock™ Shoe is made from A-36 carbon steel, and hot-dip galvanized after fabrication for corrosion protection.

### Better Pipe Rack Utilization and Higher Quality Pipe Insulation

The clamps of a conventional clamp-on pipe shoe extend radially outward from the pipe, thus limiting the minimum center line distance between pipes in the rack, as well as creating the need for cut outs in the jacketing on insulated pipe applications.

Because of its minimal profile, the Interlock™ Shoe allows for better rack utilization and eliminates the need for sealing and caulking holes in the insulation jacketing that are caused by the pipe support.



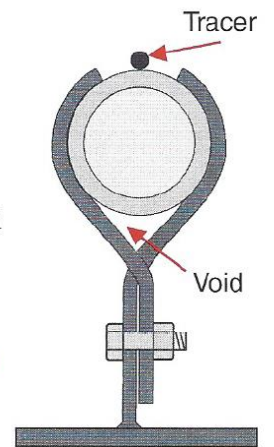
### No Pipe Corrosion

Corrosion has historically been a major problem with convention clamp-on shoes. Protective coatings tend to deteriorate between the support and the pipe bottom because of moisture or other trapped contaminates.

Because the Interlock™ Shoe does not have a saddle that will collect moisture or other corrosive media, the corrosion problem associated with conventional clamp-on pipe supports is not an issue.

### Ideal for Traced Pipes

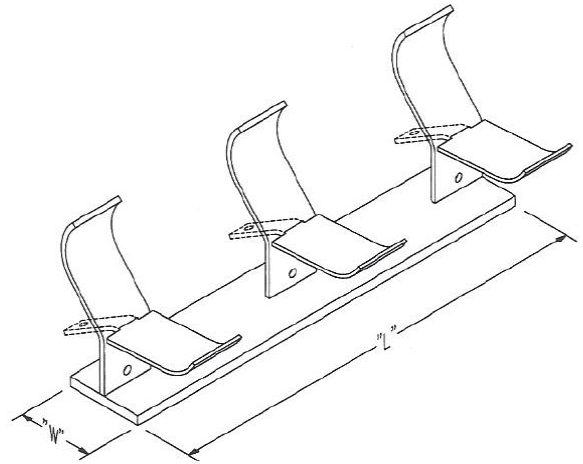
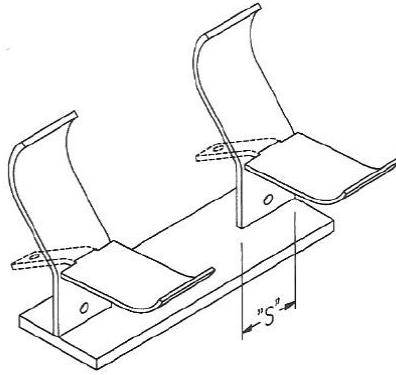
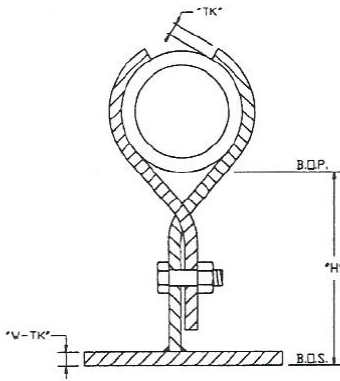
The Interlock™ Shoe is the only clamp-on shoe that allows for direct contact between the heat tracer and the pipe. Heat tracers can be installed between the clamp tongues, allowing for maximum heat transfer.



**SOUTHERN FAB & SUPPORTS INC**



# Engineering Data



Pipe Size	"L"	"H"	"W"	"S"	"W-TK"	"TK"	PLATE	FINISH	BOLT/NUT
1", 1 1/2", 2"	12", 18"	3", 4"	3"	3"	3/8"	3/16"	A-36	GALV.	1/2" A449 w/ 2 H Nut
	12", 18"	6"	4"	3"	3/8"	3/16"	C. S.		
3", 4"	12", 18"	3", 4"	3"	3"	3/8"	1/4"	A-36	GALV.	1/2" A449 w/ 2 H Nut
	12", 18"	6"	6"	3"	3/8"	1/4"	C. S.		
6"	12", 18"	3", 4"	4"	4"	3/8"	1/4"	A-36	GALV.	1/2" A449 w/ 2 H Nut
	12", 18"	6"	6"	4"	3/8"	1/4"	C. S.		
8"	12", 18"	3", 4"	4"	4"	3/8"	5/16"	A-36	GALV.	1/2" A449 w/ 2 H Nut
	12", 18"	6"	6"	4"	3/8"	5/16"	C. S.		

## Ordering Information





**Pipe Size**

- Ø
- 1"
- 1 1/2"
- 2"
- 3"
- 4"
- 6"
- 8"

**Shoe Height**

- H
- 3"
- 4"
- 6"

**Shoe Length**

- L
- 12"
- 18"

**Isolation Kit**

.015 Teflon



**SOUTHERN FAB & SUPPORTS INC**

1510 E. Dallas Street - Conroe, TX 77301

PH: 936-539-1181

[www.southernfabandsupports.com](http://www.southernfabandsupports.com)

